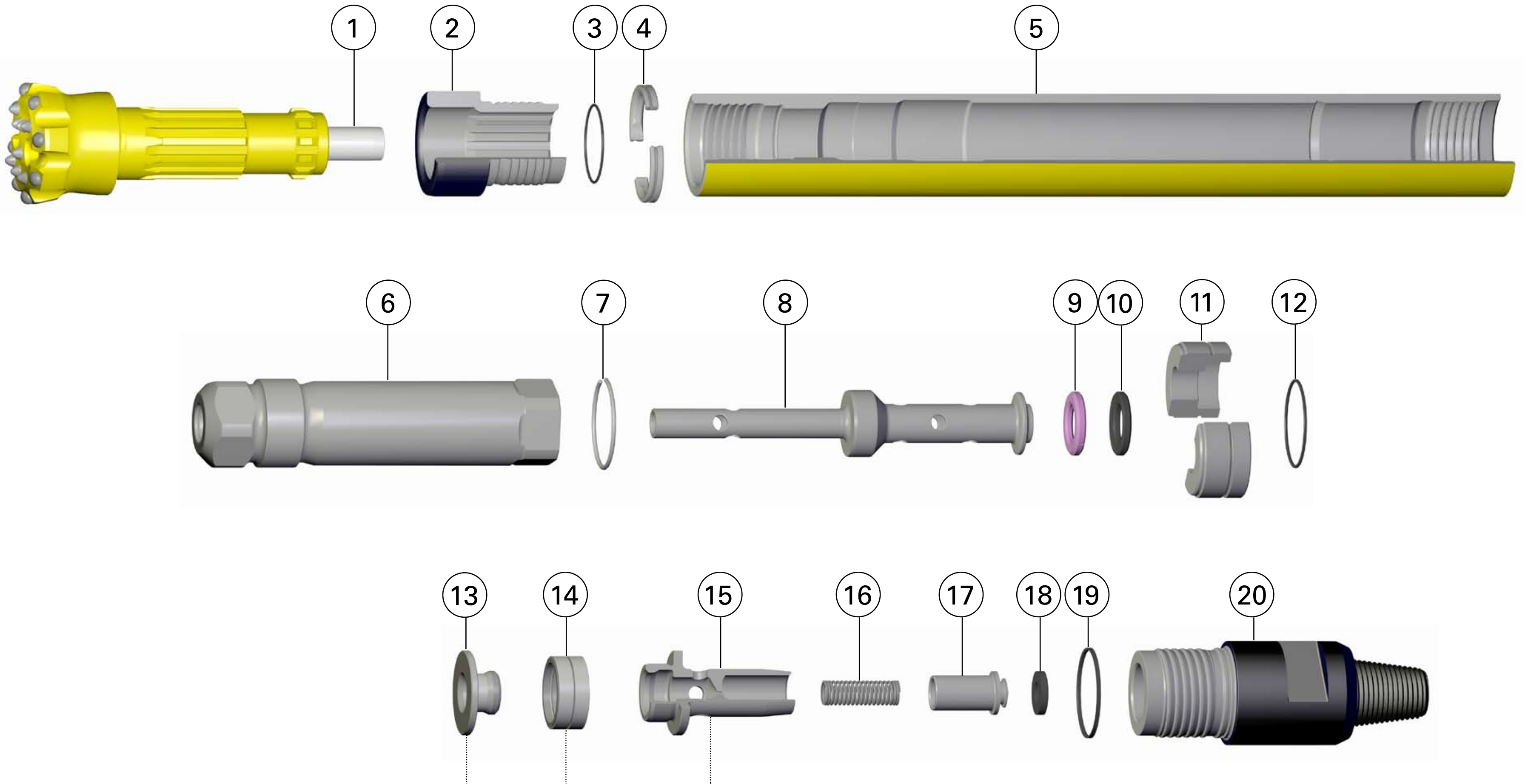


Secoroc COP 44 Gold

Down-the-hole hammer



Ref.	Part	Prod. No.	Product code
1	Foot valve for bit	90516004	9115
2	Driver chuck	89001475	9704-00-34-001
3	O-ring* for Bit retaining ring		
4	Bit retaining ring assembly incl. O-ring	89001476	9704-00-34-002
5	Casing	89001478	9704-00-34-004
6	Piston	89001477	9704-00-34-005
7	Lock ring	89001480	9700-00-34-006
8	Control tube	89001479	9704-00-34-007
9	Lower buffer	89001482	9700-00-34-011
10	Upper buffer	89001481	9700-00-34-009
11	Cover assembly incl. O-ring	89001483	9700-00-34-021
12	O-ring* for Cover		
13	Spring stop incl. in item 14		
14	Friction spring set assembly	89001484	9700-00-34-010
15	Valve body incl. in item 14		
16	Spring check valve	89001019	9700-00-34-016
17	Check valve assembly incl. seal	89001020	9700-00-00-017
18	Seal check valve	89001021	9700-00-00-018
19	O-ring* for Backhead		
20	Backhead assembly, 2 3/8" API Reg	89001470	9700-03-34-020

Ref.	Part	Prod. No.	Product code
20	Backhead assembly CUBEX #24	89001472	9700-12-34-020
	incl. O-ring*		
	incl. circlip (CUBEX only)	44000234	0335-2147-00
	incl. O-ring (CUBEX only)	86007926	0663-9197-00
	incl. washer, incl. in 8607926		

*O-rings not sold separately. Included in different kits below.

	Prod. No.	Product code
Hammer complete, 2 3/8" API Reg	89001469	9707-03-34
Hammer complete, CUBEX #24	89001471	9704-12-34
O-ring kit incl. 5 x Ref. 3, 1 x 12, 1 x 19	89001487	3161-2460-90
Economy kit, 2 3/8" API Reg	89001473	9704-03-34-040
Economy kit, CUBEX #24	89001474	9704-12-34-040

Wear limits		
Casing	Min. OD	92 mm
Piston / Casing clearance	Max.	0.2 mm
Piston / Control tube	Max.	0.2 mm
Foot valve	Min. OD	32.05 mm
Foot valve protrusion		57 + / - 1 mm